

Level Measurement

Continuous level measurement – Ultrasonic controllers

HydroRanger 200

Overview



HydroRanger 200 is an ultrasonic level controller for up to six pumps and provides control, differential control, and open channel flow monitoring.

Benefits

- Monitors wet wells, weirs and flumes
- Digital communications with built-in Modbus RTU via RS 485
- Compatible with SmartLinx system and SIMATIC PDM configuration software
- Single or dual point level monitoring
- 6 relay (standard), 1 or 3 relay (optional)
- Auto False-Echo Suppression for fixed obstruction avoidance
- Anti-grease ring/tide mark buildup
- Differential amplifier transceiver for common mode noise rejection and improved signal-to-noise ratio
- Wall and panel mounting options

Application

For water authorities, municipal water, and wastewater plants, HydroRanger 200 is an economical, low-maintenance solution delivering control efficiency and productivity needed to meet today's exacting standards. It offers single point monitoring with all models, and optional dual-point monitoring with 6 relay model. As well, it has digital communications with built-in Modbus RTU via RS 485.

The standard 6 relay HydroRanger 200 will monitor open channel flow and features more advanced relay alarming and pump control functions as well as volume conversion. It is compatible with SIMATIC PDM, allowing for PC configuration and setup. Sonic Intelligence advanced echo-processing software provides increased reading reliability. The optional 1 or 3 relay models provide accurate level measurement functions only; these two models do not provide open channel flow, differential level measurement or volume conversion functions.

HydroRanger 200 uses proven continuous ultrasonic echo ranging technology to monitor water and wastewater of any consistency up to 15 m (50 ft) in depth. Achievable resolution is 0.1 % with accuracy to 0.25 % of range. Unlike contacting devices, HydroRanger 200 is immune to problems caused by suspended solids, harsh corrosives, grease or silt in the effluent, reducing downtime.

- Key Applications: wet wells, flumes/weirs, bar screen control

Level Measurement

Continuous level measurement – Ultrasonic controllers

HydroRanger 200

Technical specifications

Mode of operation	
Measuring principle	Ultrasonic level measurement
Measuring range	0.3 ... 15 m (1 ... 50 ft), transducer dependent
Measuring points	1 or 2
Input	
Analog	0 ... 20 mA or 4 ... 20 mA, from alternate device, scaleable (6 relay model)
Discrete	10 ... 50 V DC switching level Logical 0 ≤ 0.5 V DC Logical 1 = 10 ... 50 V DC Max. 3 mA
Output	
EchoMax transducer	44 kHz
Ultrasonic transducer	Compatible transducers: ST-H and EchoMax series XPS-10, XPS 15/15F, and XRS-5
Relays ¹⁾	Rating 5 A at 250 V AC, non-inductive
<ul style="list-style-type: none"> • Model with 1 relay²⁾ • Model with 3 relays²⁾ • Model with 6 relays 	1 SPST Form A 2 SPST Form A/1 SPDT Form C 4 SPST Form A/2 SPDT Form C
mA output	0 ... 20 mA or 4 ... 20 mA
<ul style="list-style-type: none"> • Max. load • Resolution 	750 Ω, isolated 0.1 % of range
Accuracy	
Error in measurement	0.25 % of range or 6 mm (0.24 inch), whichever is greater
Resolution	0.1 % of measuring range or 2 mm (0.08 inch), whichever is greater ³⁾
Temperature compensation	<ul style="list-style-type: none"> • -50 ... +150 °C (-58 ... +302 °F) • Integral temperature sensor in transducer • External TS-3 temperature sensor (optional) • Programmable fixed temperature values
Rated operating conditions	
Installation conditions	
<ul style="list-style-type: none"> • Location • Installation category • Pollution degree 	Indoor / outdoor II 4
Ambient conditions	
<ul style="list-style-type: none"> • Ambient temperature (enclosure) 	-20 ... +50 °C (-4 ... +122 °F)

Design	
Weight	
<ul style="list-style-type: none"> • Wall mount • Panel mount 	1.37 kg (3.02 lb) 1.50 kg (3.31 lb)
Material (enclosure)	Polycarbonate
Degree of protection (enclosure)	
<ul style="list-style-type: none"> • Wall mount • Panel mount 	IP65/Type 4X/NEMA 4X IP54/Type 3/NEMA 3
Cable	
<ul style="list-style-type: none"> • Transducer and mA output signal 	2-core copper conductor, twisted, shielded, 300 Vrms, 0.82 mm ² (18 AWG), Belden 8 760 or equivalent is acceptable
<ul style="list-style-type: none"> • Max. separation between transducer and transceiver 	365 m (1 200 ft)
Displays and controls	
Programming	100 x 40 mm (4 x 1.5 inch) multi-block LCD with backlighting
	Programming using handheld programmer or via PC with SIMATIC PDM software
Power supply ⁴⁾	
AC version	100 ... 230 V AC ± 15 %, 50/60 Hz, 36 VA (17 W)
DC version	12 ... 30 V DC (20 W)
Certificates and approvals	
	<ul style="list-style-type: none"> • CE, C-TICK⁵⁾ • Lloyd's Register of Shipping • ABS Type Approval • FM, CSA_{US/C}, UL listed • CSA_{US/C} Class I, Div. 2, Groups A, B, C, and D, Class II, Div. 2, Groups F and G, Class III (wall mount only) • MCERTS Class 3 approved for Open Channel Flow
Communication	
	<ul style="list-style-type: none"> • RS 232 with Modbus RTU or ASCII via RJ-11 connector • RS 485 with Modbus RTU or ASCII via terminal blocks • Optional: SmartLinx cards for <ul style="list-style-type: none"> - PROFIBUS DP - DeviceNet - Allen-Bradley Remote I/O

¹⁾ All relays certified for use with equipment that fails in a state at or under the rated maximums of the relays

²⁾ This model is level control only; no open channel flow, differential level or volume conversion functions

³⁾ Program range is defined as the empty distance to the face of the transducer plus any range extension

⁴⁾ Maximum power consumption is listed

⁵⁾ EMC performance available upon request

Level Measurement

Continuous level measurement – Ultrasonic controllers

HydroRanger 200

Selection and Ordering data

Siemens HydroRanger 200

Ultrasonic level controller for up to six pumps that provides control, differential control and open channel flow monitoring. The HydroRanger 200 is also available as a level measurement controller only. Select option from number of measurement points options below.

Mounting

Wall mount, standard enclosure
Wall mount, 4 entries, 4 M20 cable glands included
Panel mount¹⁾

Power supply

100 ... 230 V AC
12 ... 30 V DC

Number of measurement points

Single point model, 6 relays
Dual point model, 6 relays
Single point model, level only, 1 relay²⁾
Single point model, level only, 3 relays²⁾

Communication (SmartLinx)

Without module
SmartLinx Allen-Bradley Remote I/O module
SmartLinx PROFIBUS DP module
SmartLinx DeviceNet module
See SmartLinx product page 4/339 for more information.

Approvals

General Purpose CE, FM, CSA_{US,C}, UL listed, C-TICK
CSA Class I, Div. 2, Groups A, B, C, and D; Class II, Div. 2, Groups F and G; Class III
(for wall mount applications only)

¹⁾ Available with approval option 1 only

²⁾ This model is level control only; no open channel flow, differential level, or volume conversion functions.

Article No.

7ML5034-

1	A
2	B
3	C
	D
	0
	1
	2
	3
1	1
2	2

Selection and Ordering data

Further designs

Please add "-Z" to Article No. and specify Order code(s).

Stainless steel tag [69 x 50 mm (2.71 x 1.97 inch)];
Measuring-point number/identification
(max. 27 characters) specify in plain text

Operating Instructions

English

French

German

Note: The Operating Instructions should be ordered as a separate item on the order.
This device is shipped with the Siemens Milltronics manual DVD containing the ATEX Quick Start and Operating Instructions library.

Other Operating Instructions

SmartLinx Allen-Bradley Remote I/O, English

SmartLinx PROFIBUS DP, English

SmartLinx PROFIBUS DP, German

SmartLinx PROFIBUS DP, French

SmartLinx DeviceNet, English

Note: The appropriate SmartLinx Operating Instructions should be ordered as a separate line on the order.

Accessories

Handheld programmer

Tag, stainless steel, 12 x 45 mm (0.47 x 1.77 inch),
one text line, suitable for enclosure

Sunshield kit, 304 stainless steel

SITRANS RD100 Remote display - see Chapter 7

SITRANS RD200 Remote display - see Chapter 7

SITRANS RD500 web, datalogging, alarming,
ethernet, and modem support for instrumentation -
see Chapter 7

Spare parts

Power Supply Board (100 ... 230 V AC)

Power Supply Board (12 ... 30 V DC)

Display Board

Order code

Y15

Article No.

7ML1998-5FC03

7ML1998-5FC11

7ML1998-5FC33

7ML1998-1AP03

7ML1998-1AQ03

7ML1998-1AQ33

7ML1998-1AQ13

7ML1998-1BH02

7ML1830-2AK

7ML1930-1AC

7ML1930-1GA

7ML5750-
1AA00-0

7ML1830-1MD

7ML1830-1ME

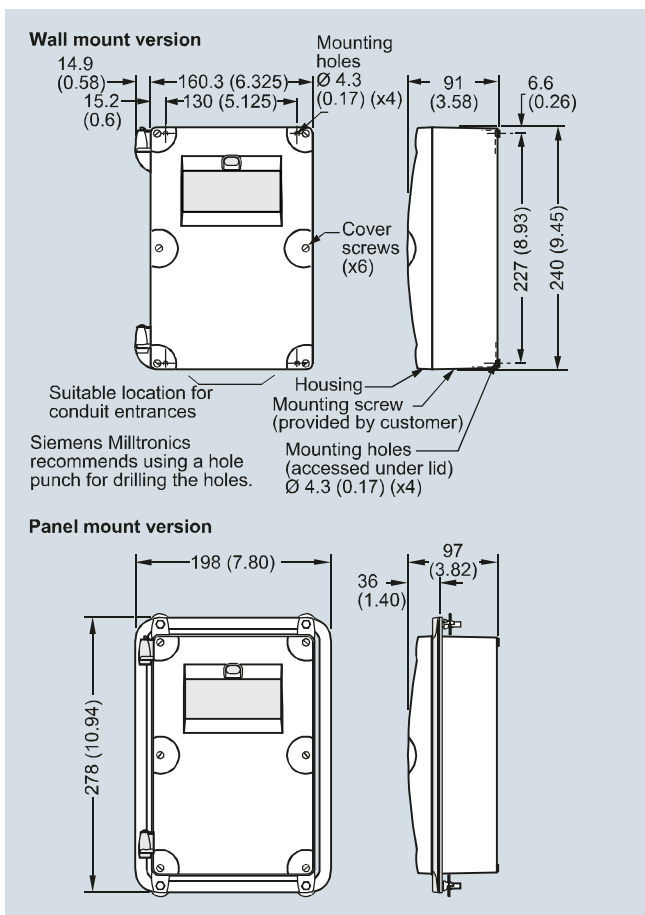
7ML1830-1MF

Level Measurement

Continuous level measurement – Ultrasonic controllers

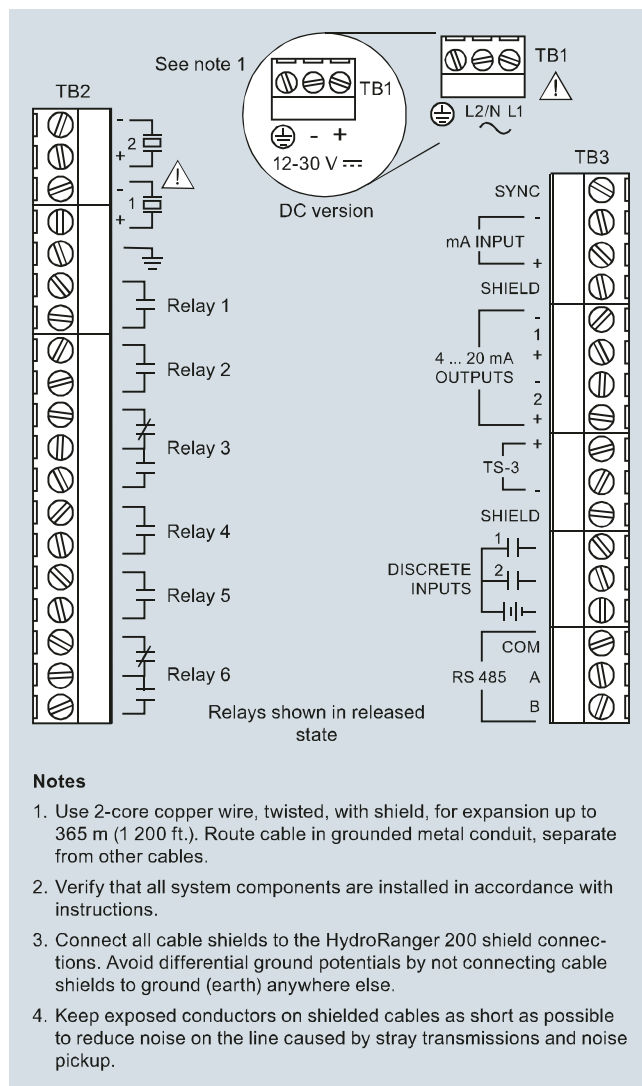
HydroRanger 200

Dimensional drawings



HydroRanger 200, dimensions in mm (inch)

Schematics



Notes

1. Use 2-core copper wire, twisted, with shield, for expansion up to 365 m (1 200 ft.). Route cable in grounded metal conduit, separate from other cables.
2. Verify that all system components are installed in accordance with instructions.
3. Connect all cable shields to the HydroRanger 200 shield connections. Avoid differential ground potentials by not connecting cable shields to ground (earth) anywhere else.
4. Keep exposed conductors on shielded cables as short as possible to reduce noise on the line caused by stray transmissions and noise pickup.

HydroRanger 200 connections

4